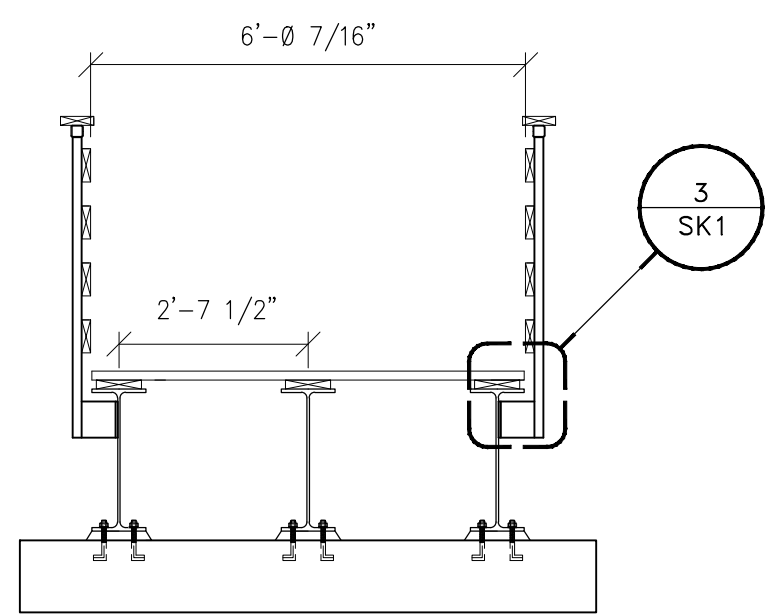


SK1  
1

# DOG PARK BRIDGE

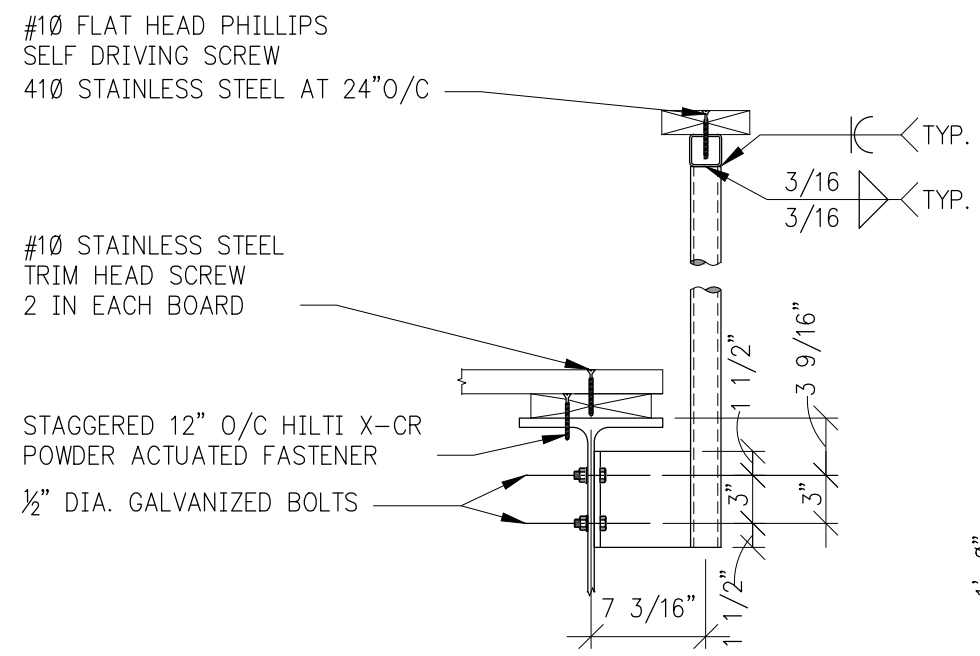
SCALE: 3/16" = 1'-0"



2 SK1

## TYPICAL SECTION

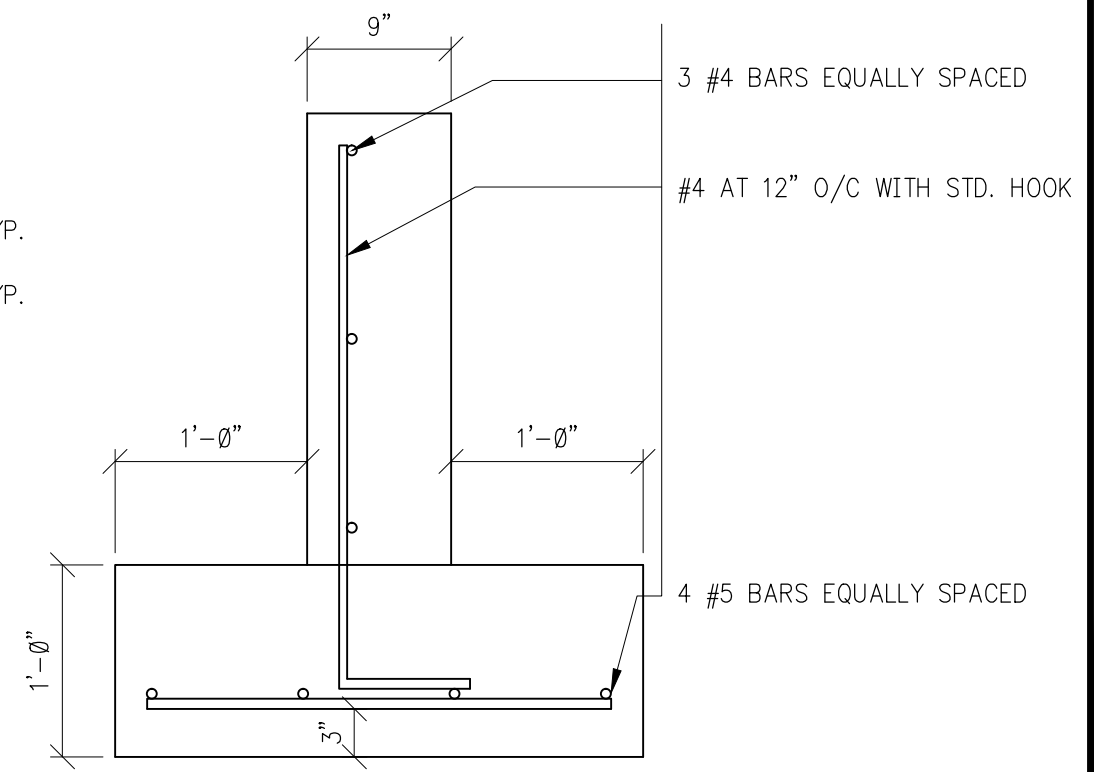
SCALE: 3/8" = 1'-0"



3 SK1

## CONNECTION DETAIL

SCALE: 1" = 1'-0"



4 SK1

## FOOTING DETAIL

SCALE: 1" = 1'-0"

SKETCH #  
**SK1**

DRAWN: SJP	DATE: 7/29/10	SCALE:	DWG. NAME: 3279
REV. #:	DATE:		

**RAASCH ASSOCIATES, INC.**  
ENGINEERS ARCHITECTS

400 AHS COURT GREEN BAY, WISCONSIN 54303

PHONE: 920-454-4333 FAX: 920-454-2112  
E-MAIL: [info@raasch.com](mailto:info@raasch.com)

SEWING INDUSTRY & COMMERCE IN THE UNITED STATES  
Copyright © 2007, Raasch Associates, Inc.